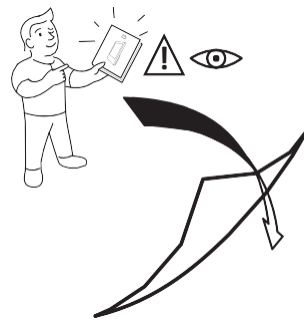
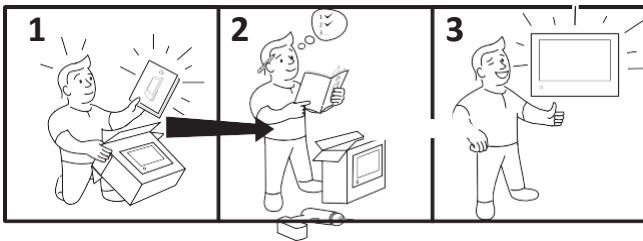
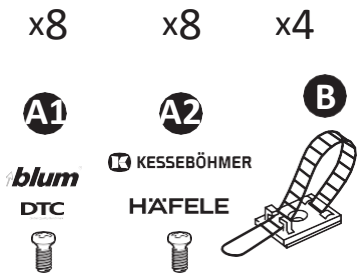
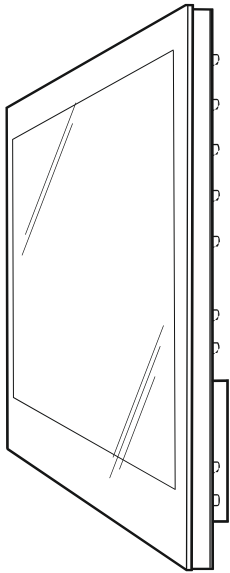
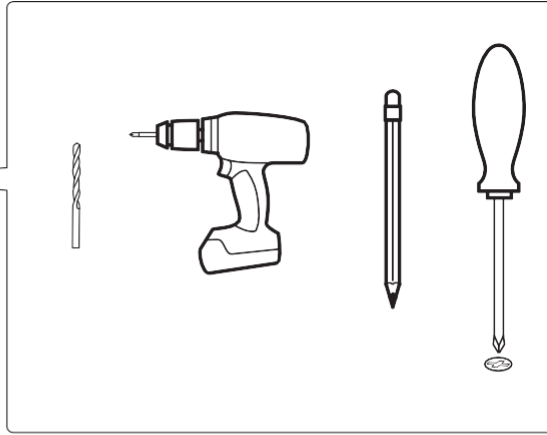
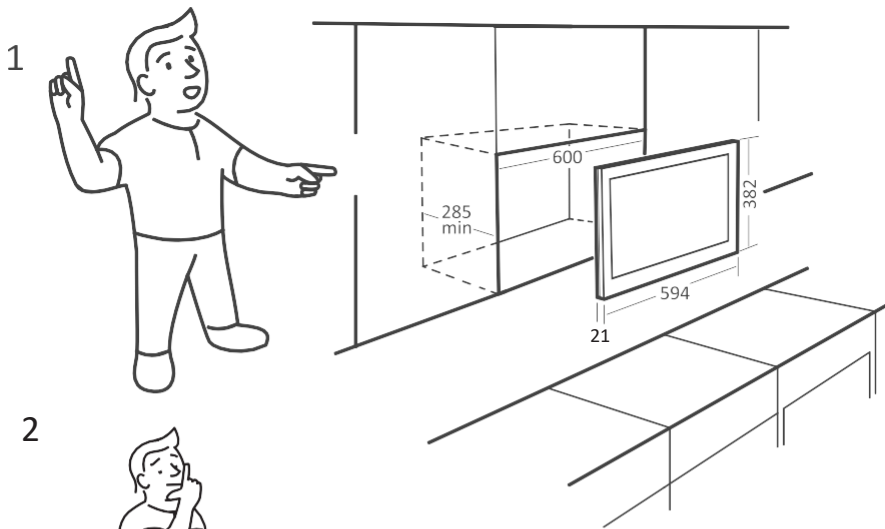


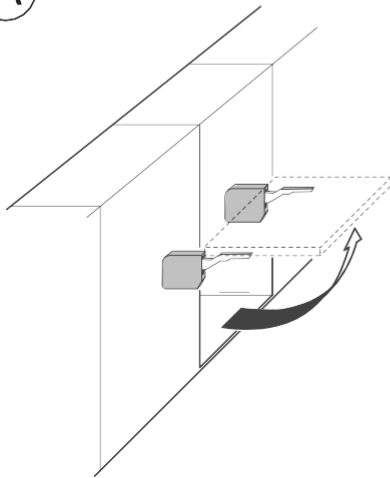
we//love[®]
open your eyes[®]







A



1

blum

Aventos HK27

DTC

DTC TOP STAY SF
SF00AH02A



2

blum

Aventos HK TOP27



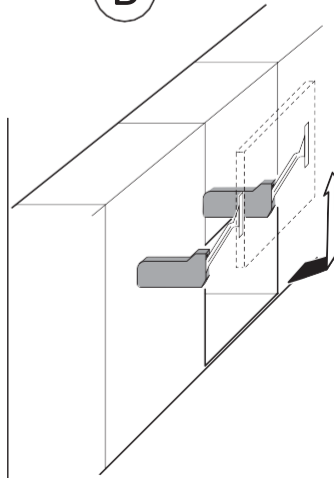
3

KESSEBÖHMER
FREEflap forte-E

HÄFELE
Free Flap 3.15 E



B



1

blum

Aventos HL27/35



2

KESSEBÖHMER
FREEslide Q3us

HÄFELE
Free Up Q3us



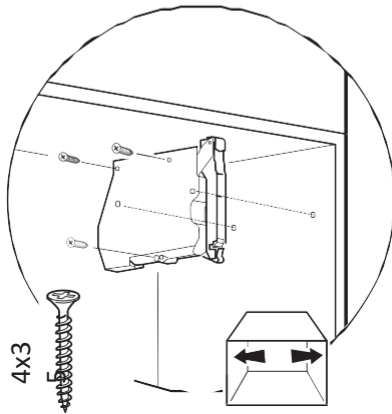
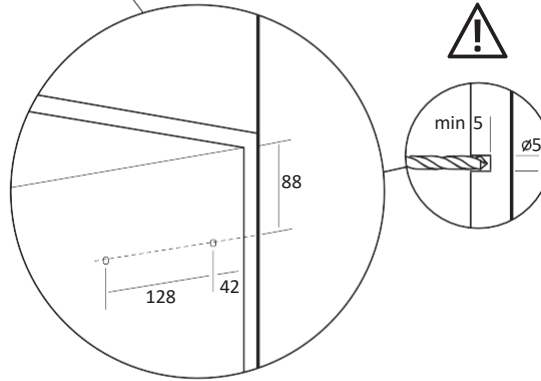
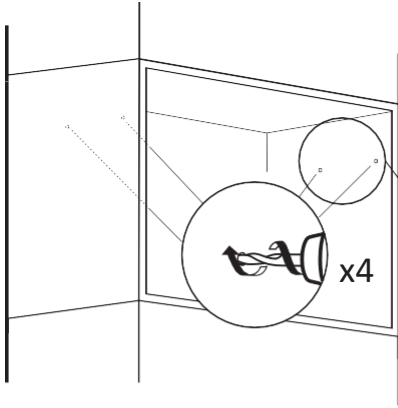
A1

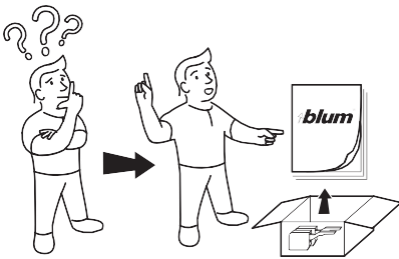
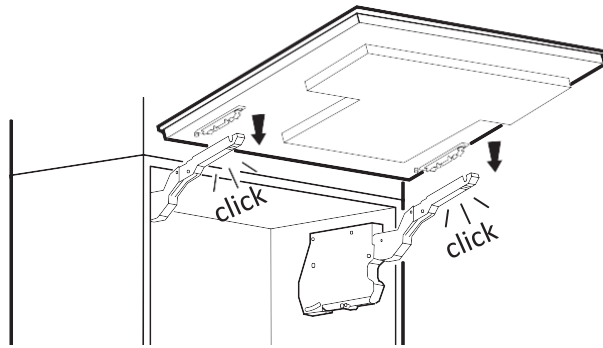
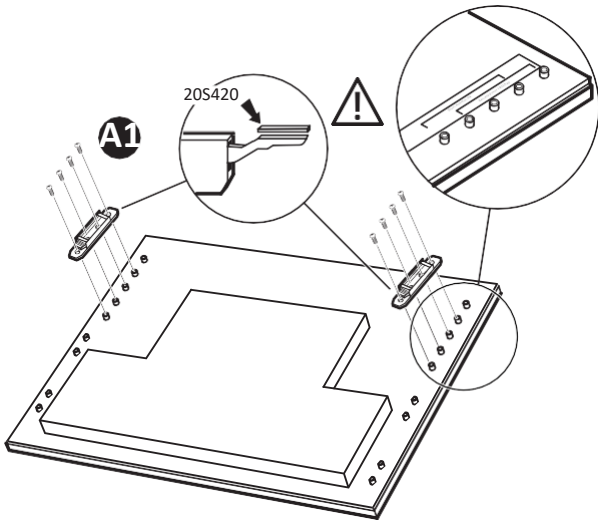
blum

Aventos HK27

DTC
Global Quality Benchmark

DTC TOP STAY SF

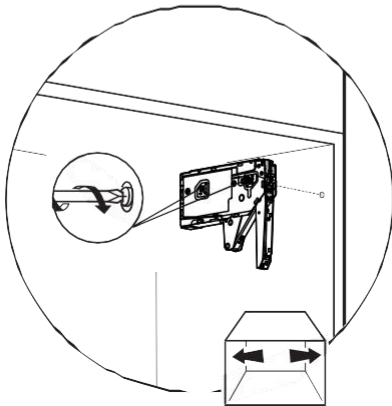
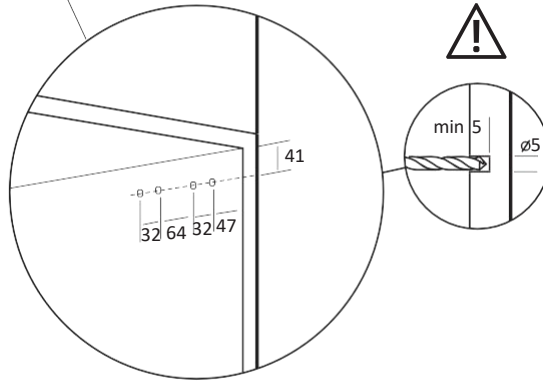
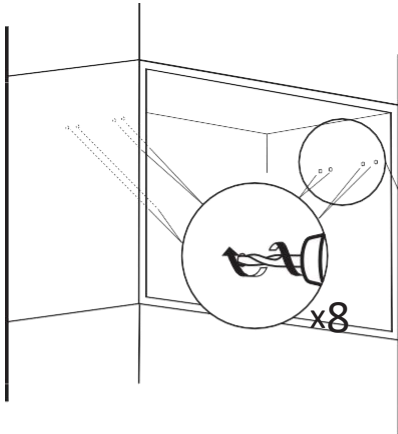


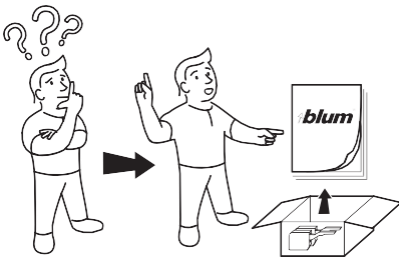
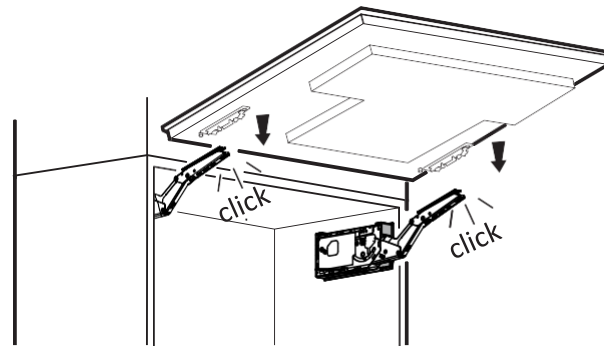
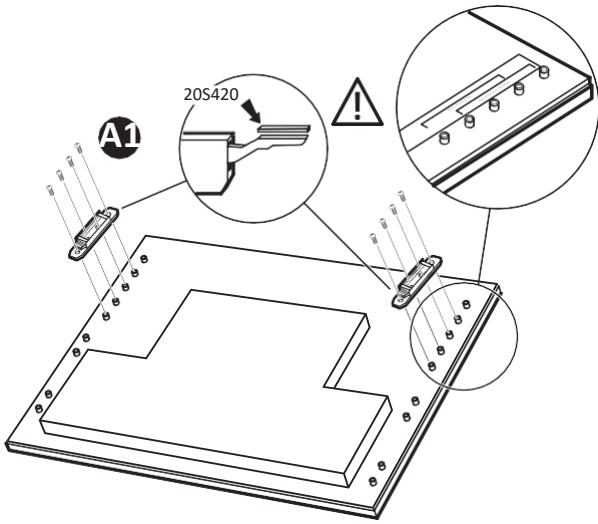


A2

blum

Aventos HK TOP27

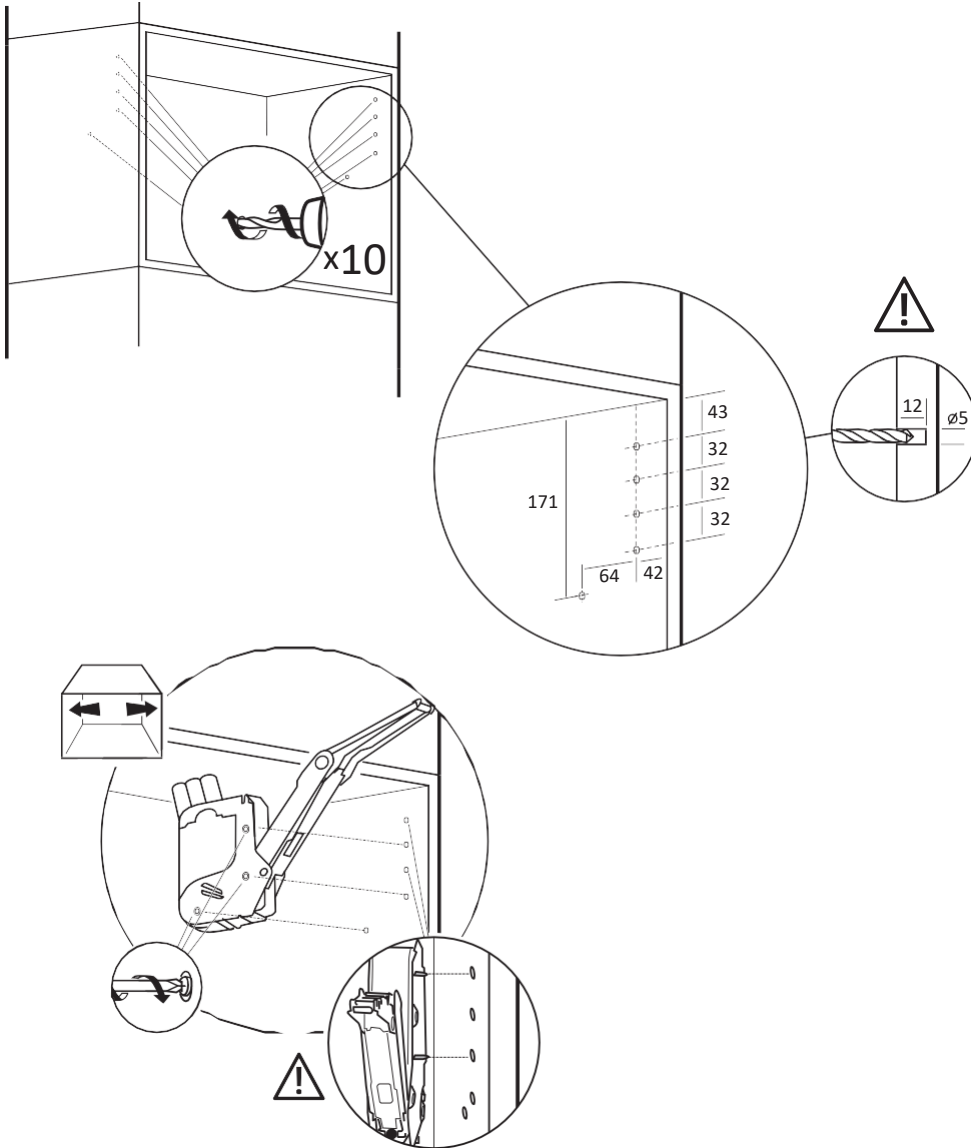


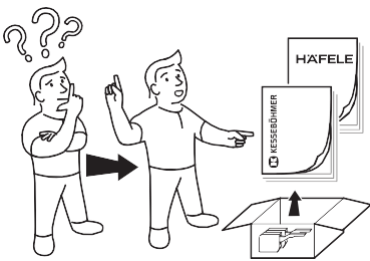
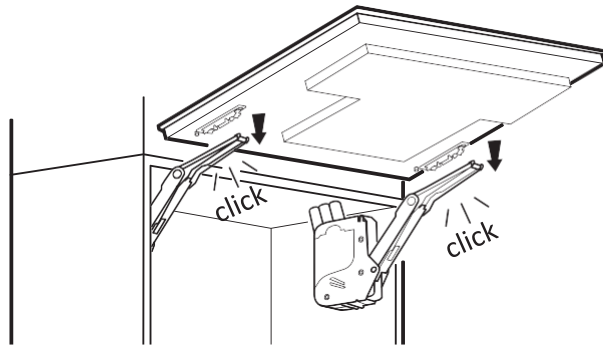
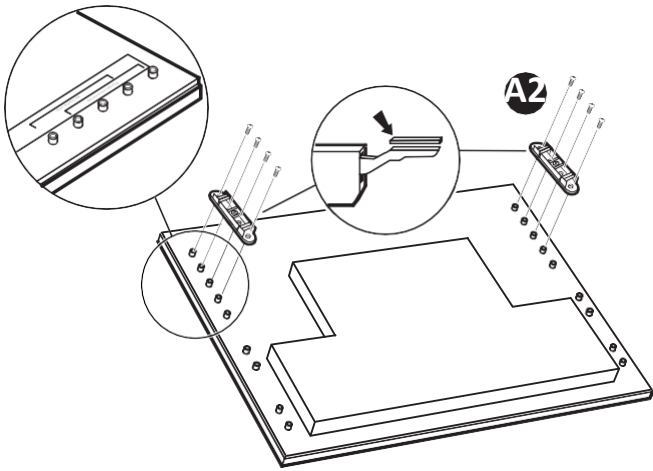


A3

KESSEBÖHMER
FREEflap forte-E

HÄFELE
Free Flap 3.15 E

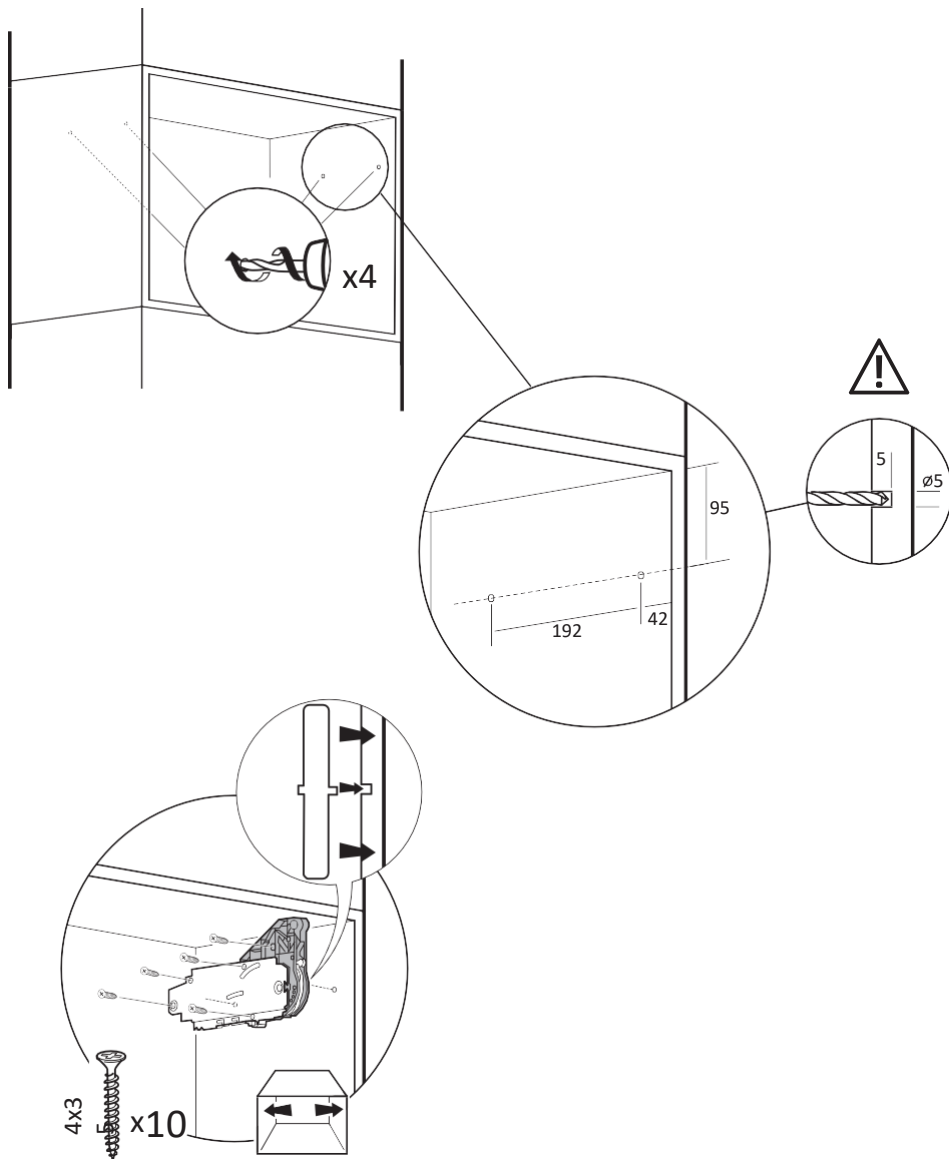


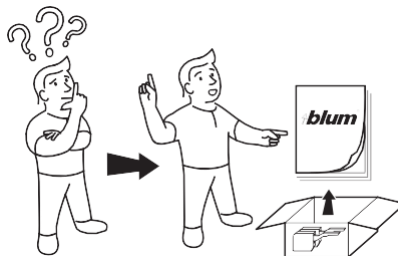
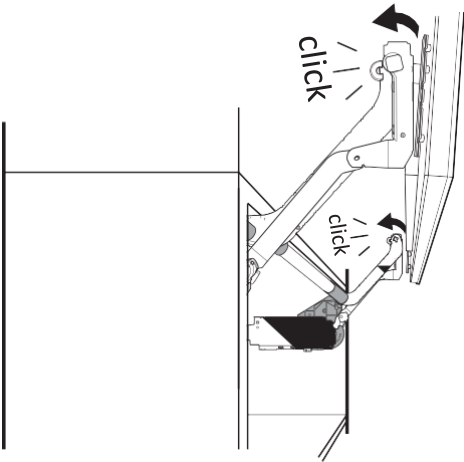
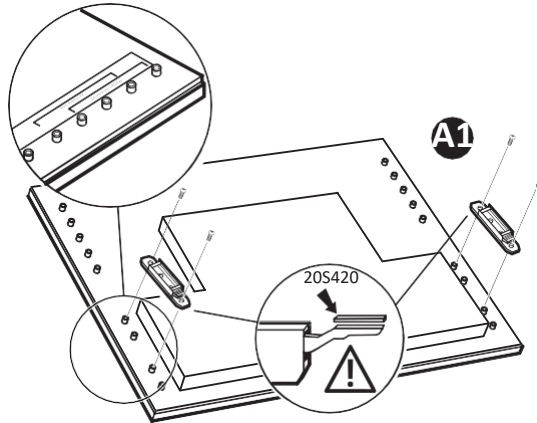
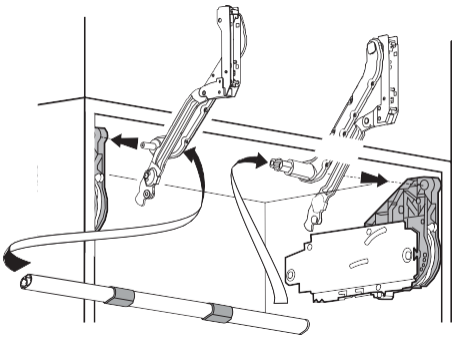


B1

blum

Aventos HL27/35

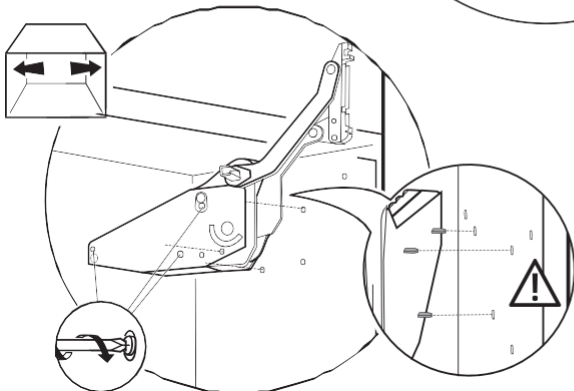
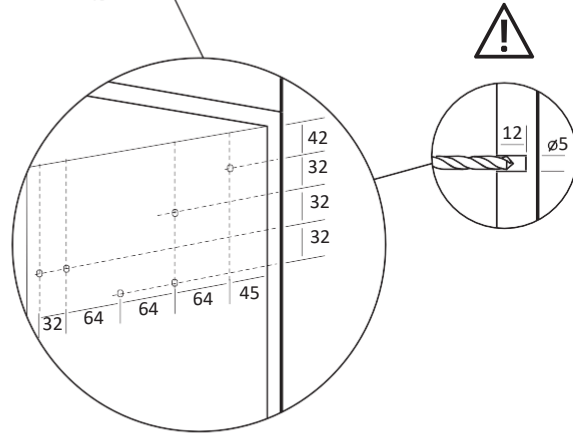
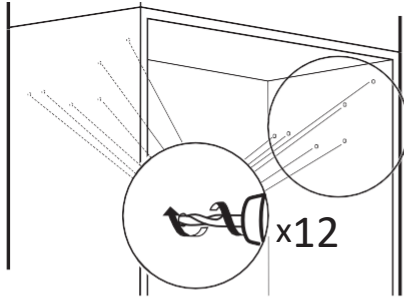


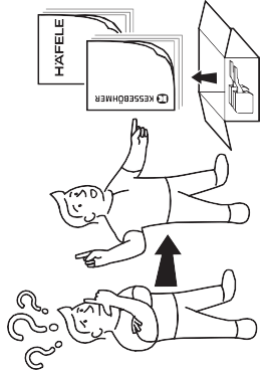
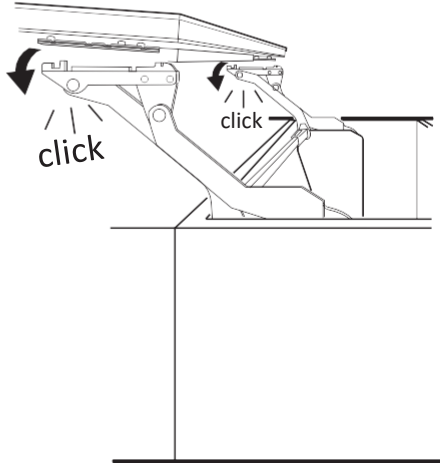
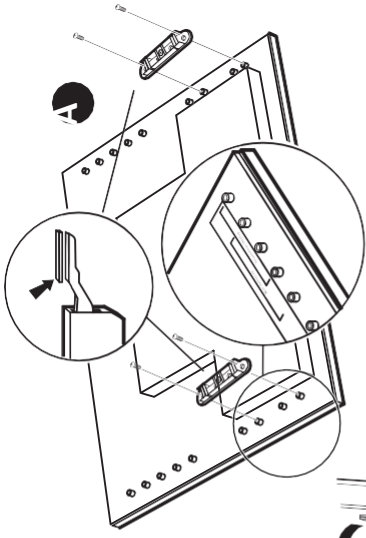
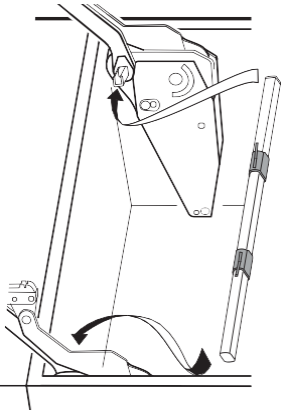


B2

KESSEBÖHMER
FREEslide Q3us

HÄFELE
Free Up Q3us

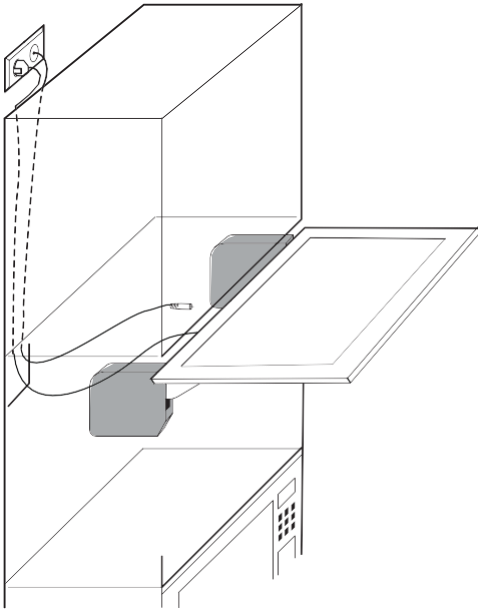




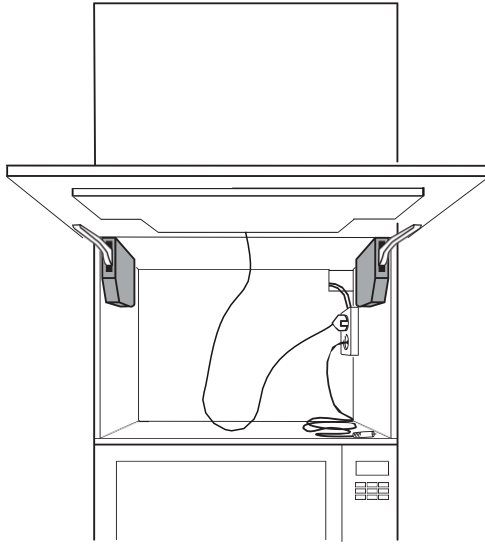
3



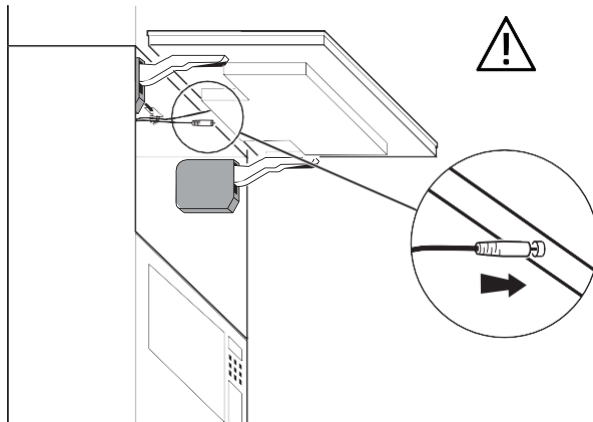
A



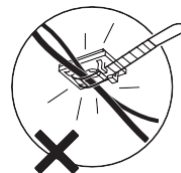
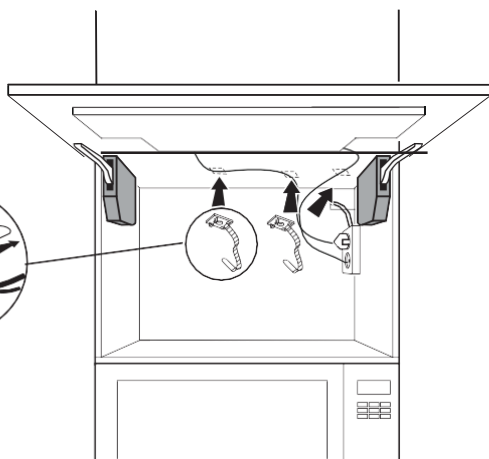
B



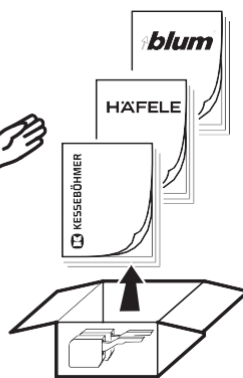
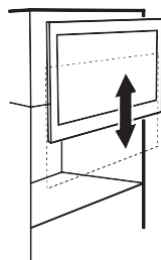
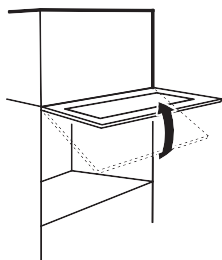
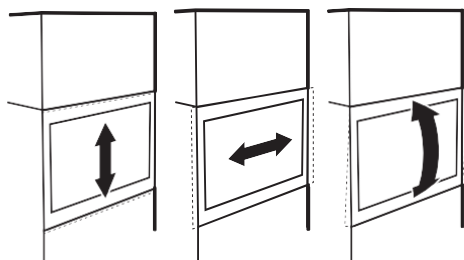
4



5

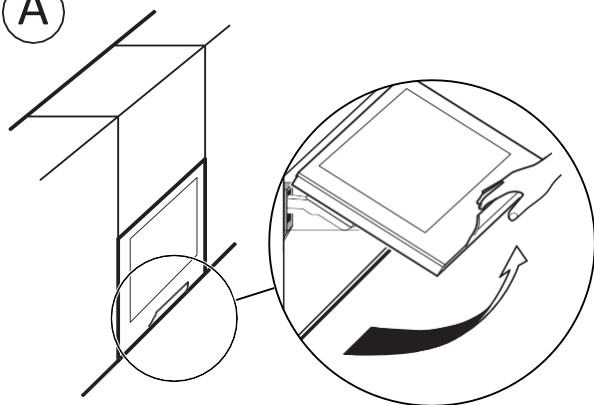


6



7

A



B

