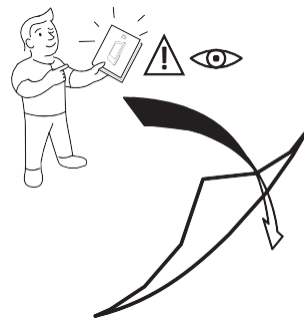
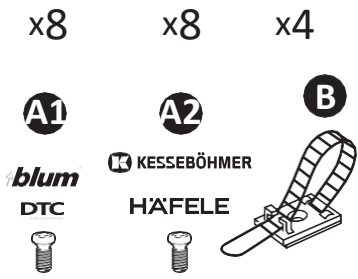
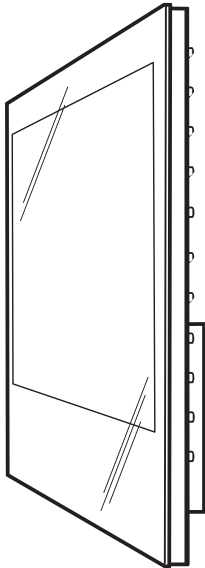
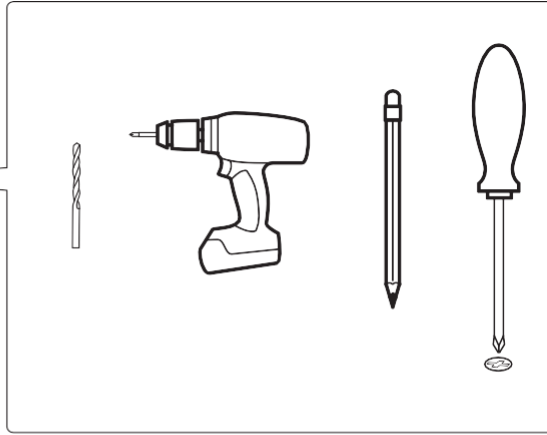
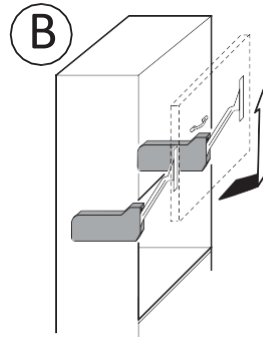
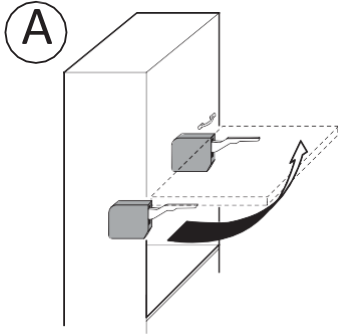
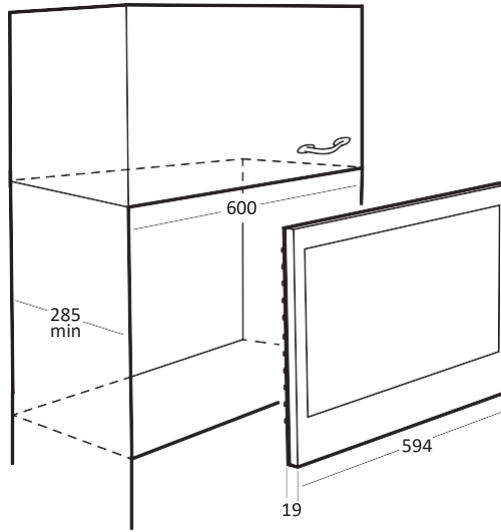
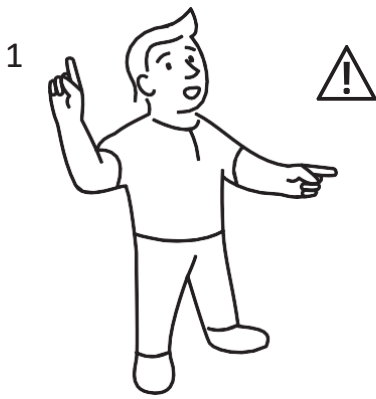


we//love[®]
open your eyes[®]







1

blum DTC
Aventos HK29 DTC TOP STAY SF
SF00AH02A



2

blum
Aventos HK TOP29



3

KESSEBÖHMER
FREEflap forte-F

HÄFELE
Free Flap 3.15 F



1

blum
Aventos HL27/38



2

KESSEBÖHMER
FREEslide Q4us

HÄFELE
Free Up Q4us



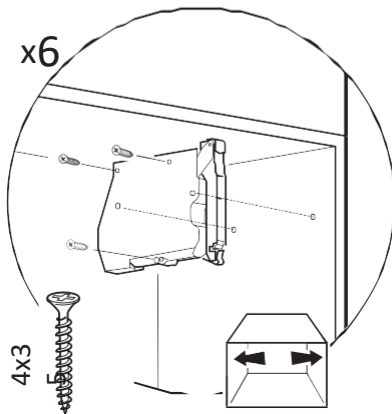
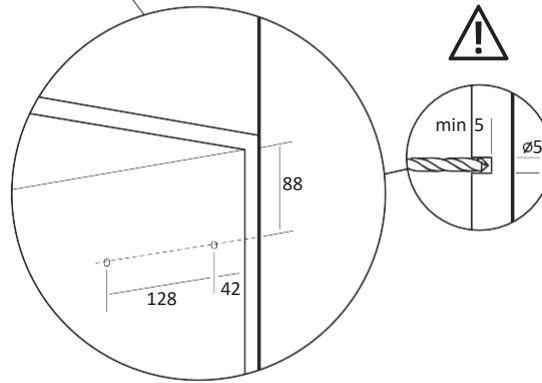
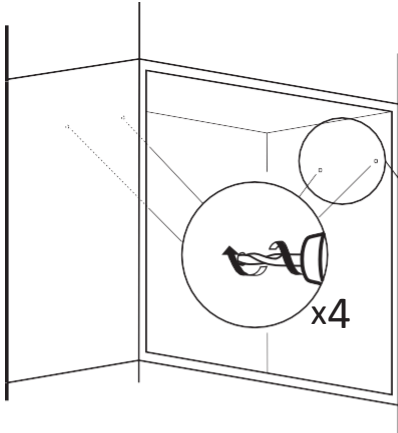
A1

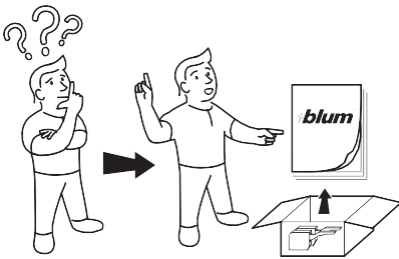
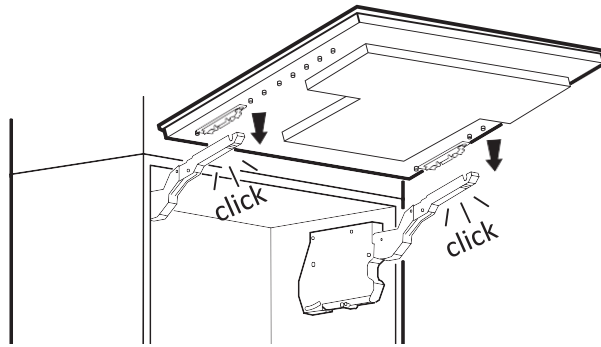
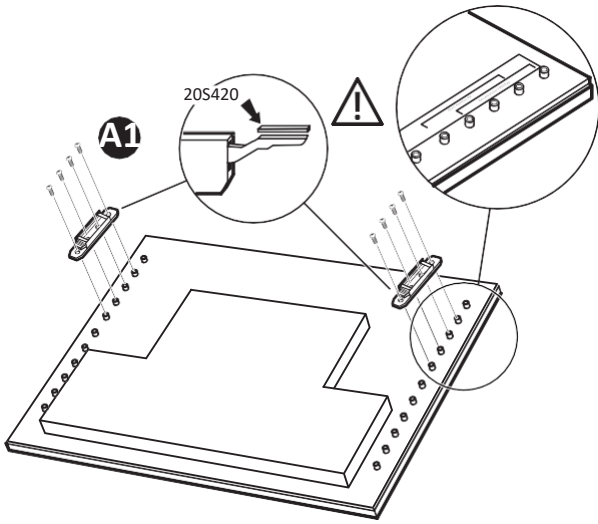
blum

Aventos HK29

DTC
Global Quality Benchmark

DTC TOP STAY SF

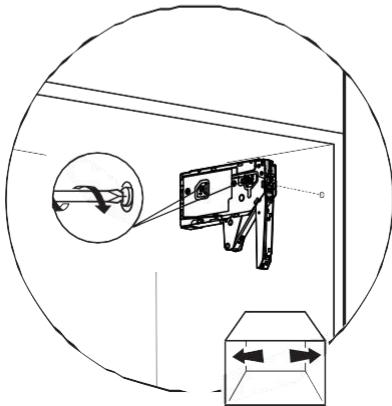
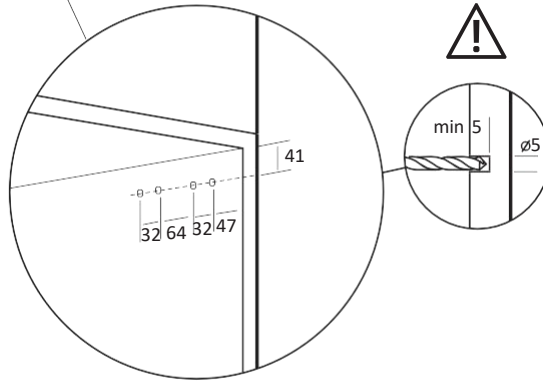
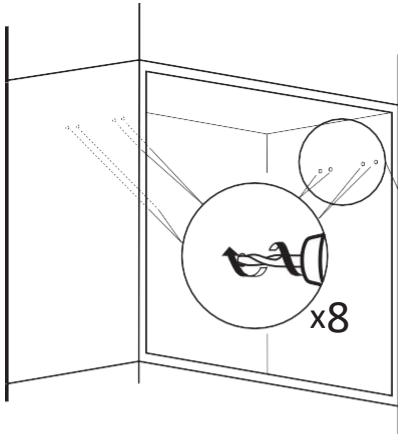


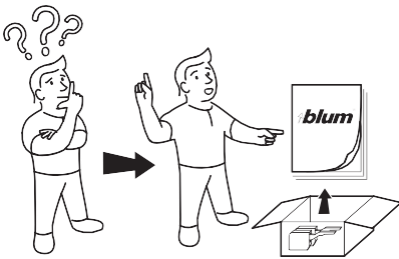
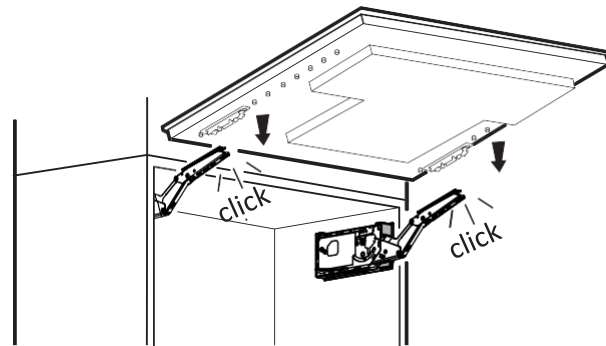
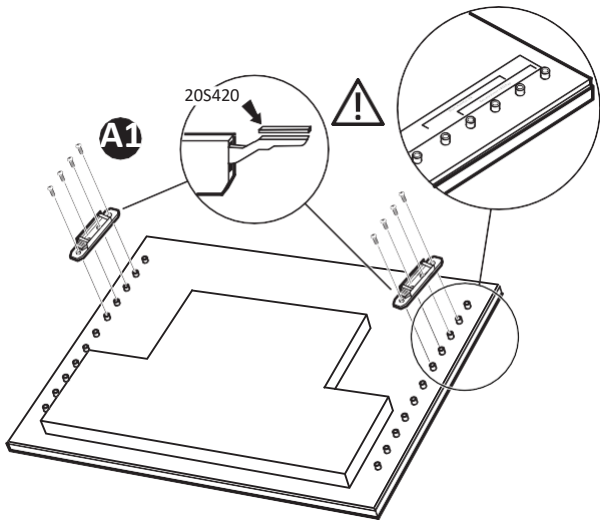


A2

blum

Aventos HK TOP29

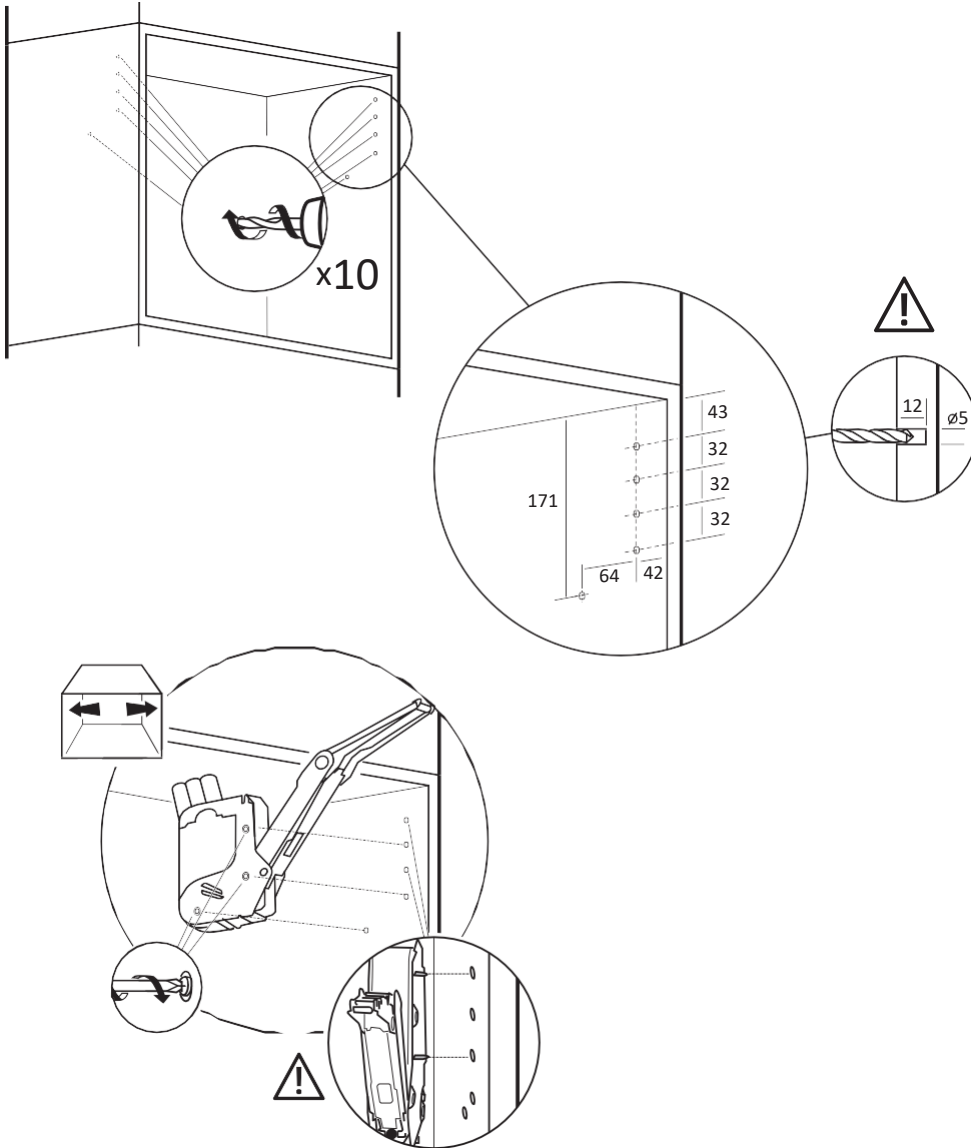


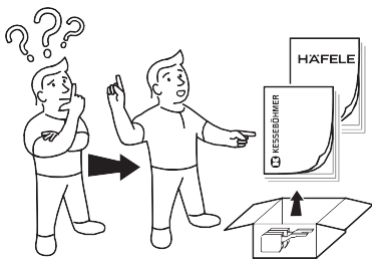
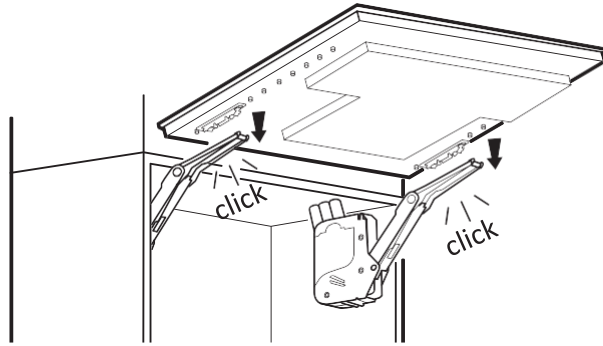
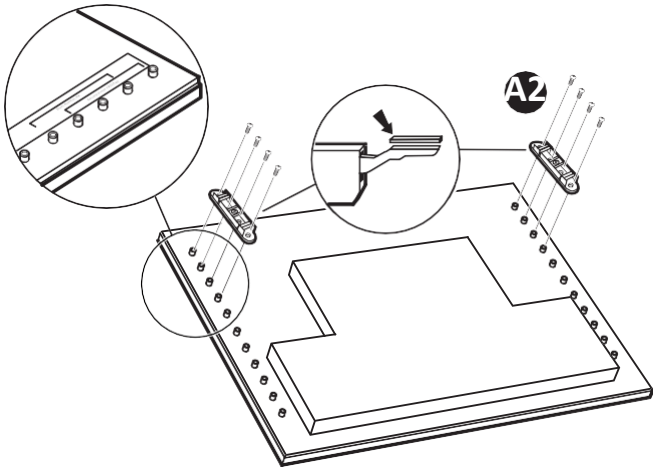


A3

KESSEBÖHMER
FREEflap forte-F

HÄFELE
Free Flap 3.15 F

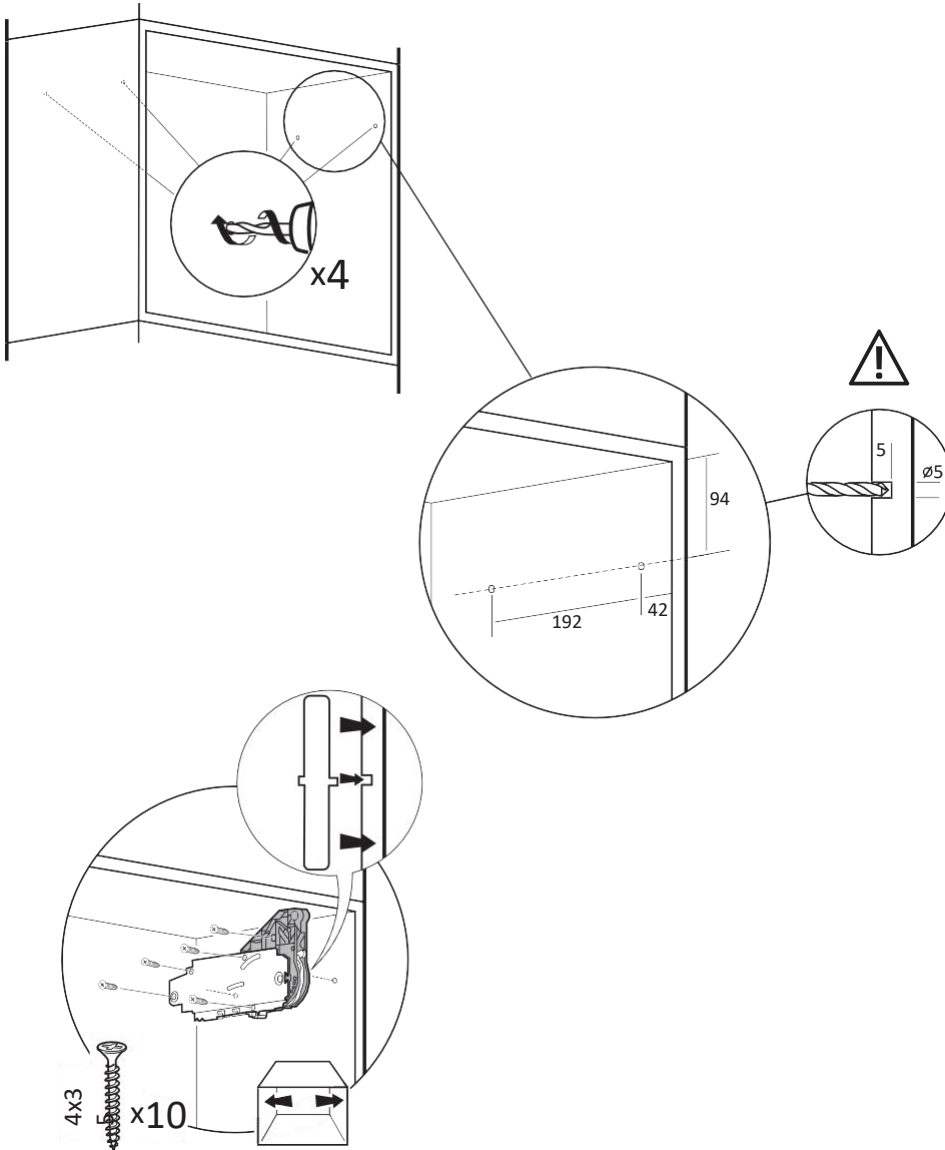


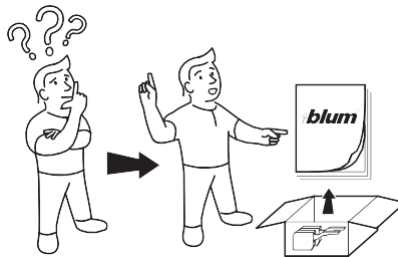
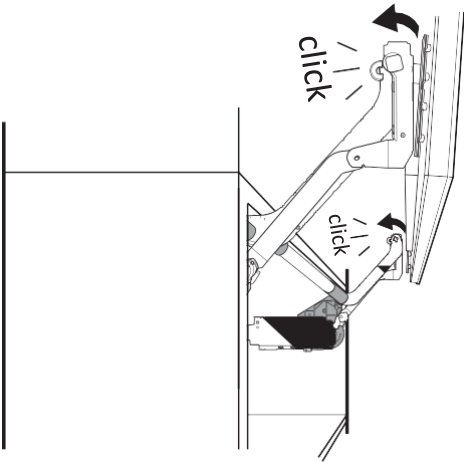
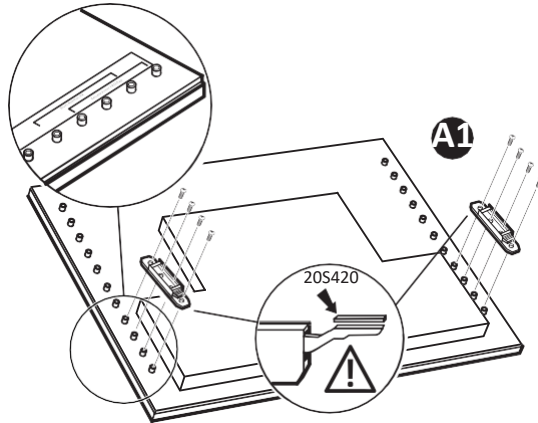
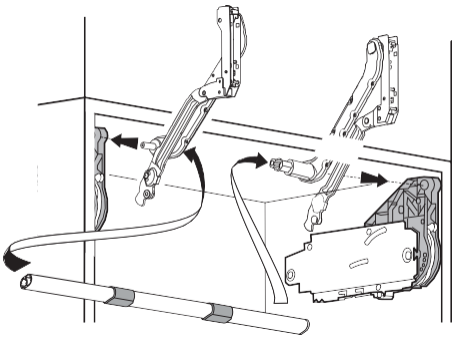


B1

blum

Aventos HL27/38

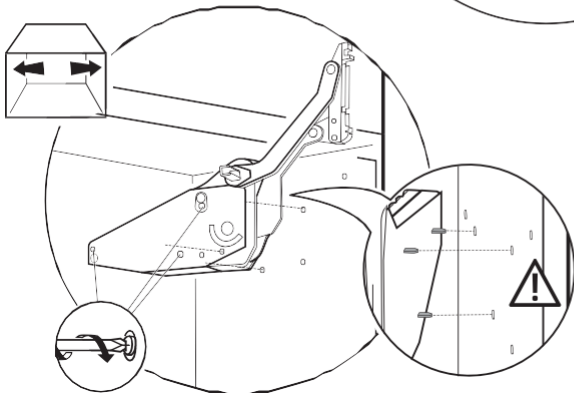
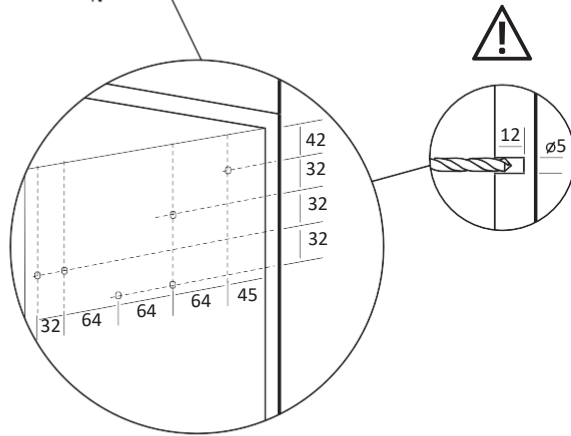
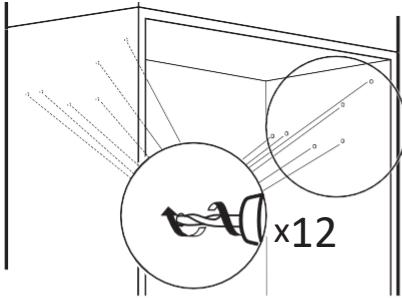


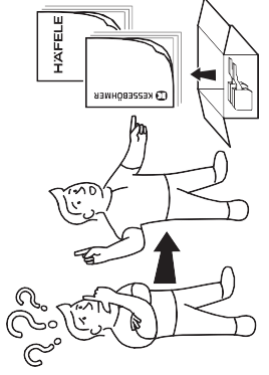
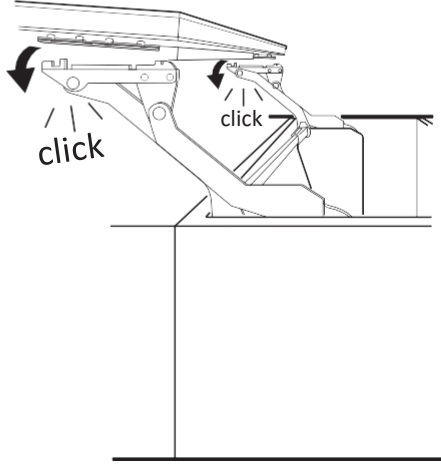
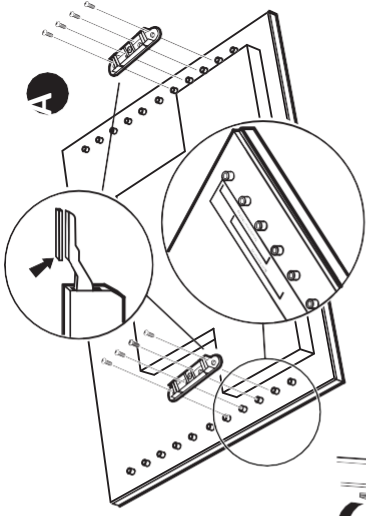
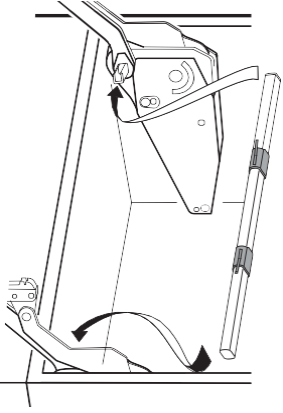


B2

KESSEBÖHMER
FREEslide Q4us

HÄFELE
Free Up Q4us

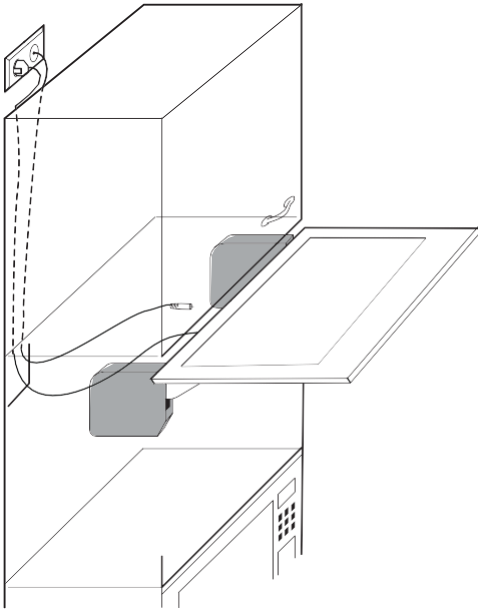




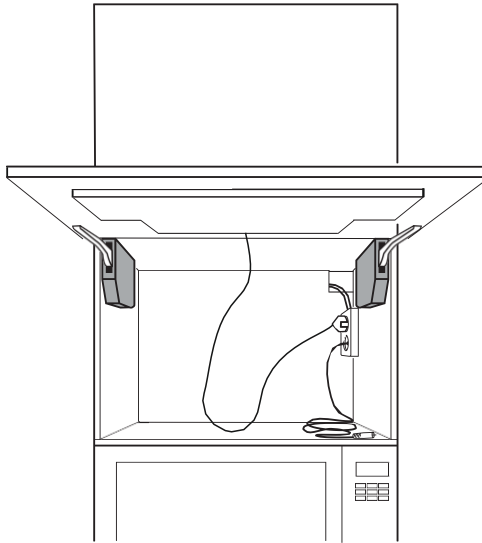
3



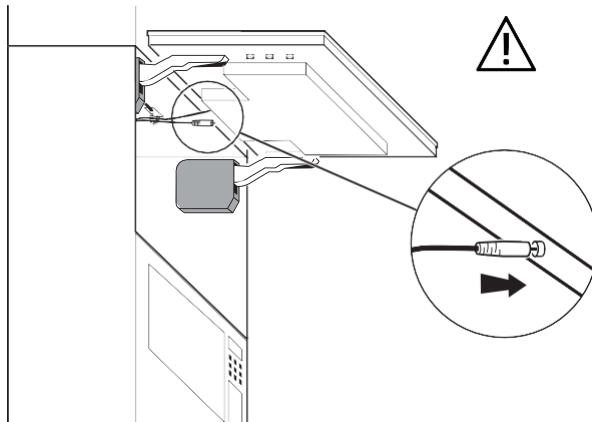
A



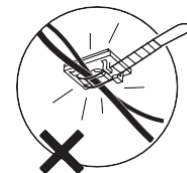
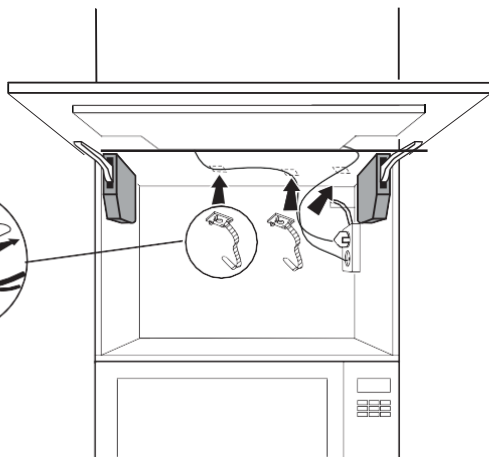
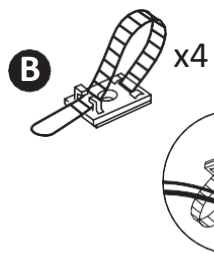
B



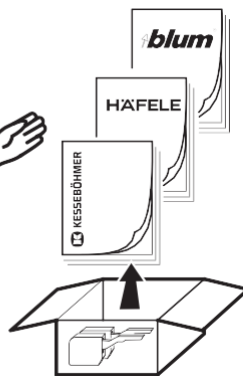
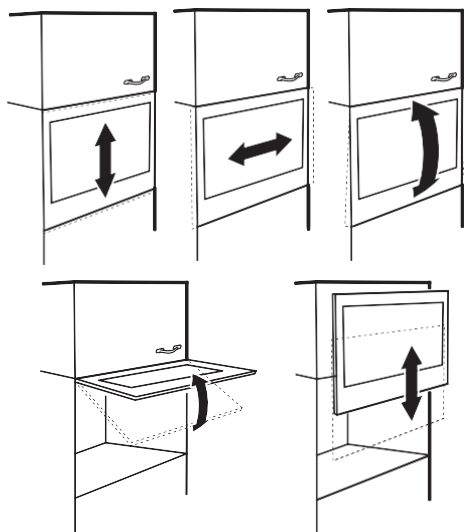
4



5

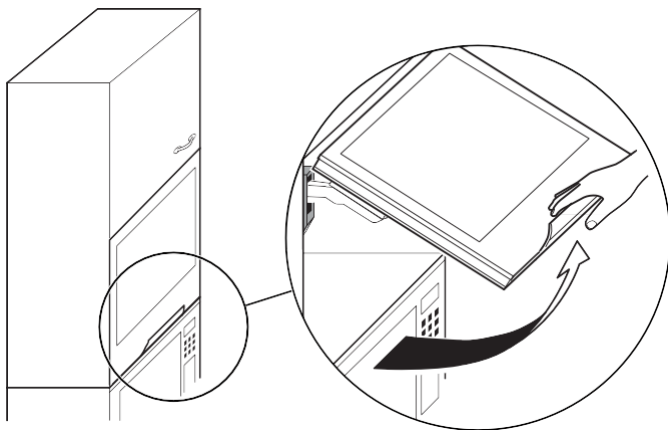


6



7

A



B

